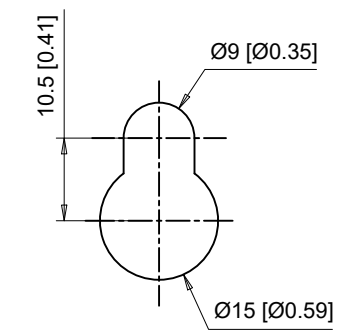
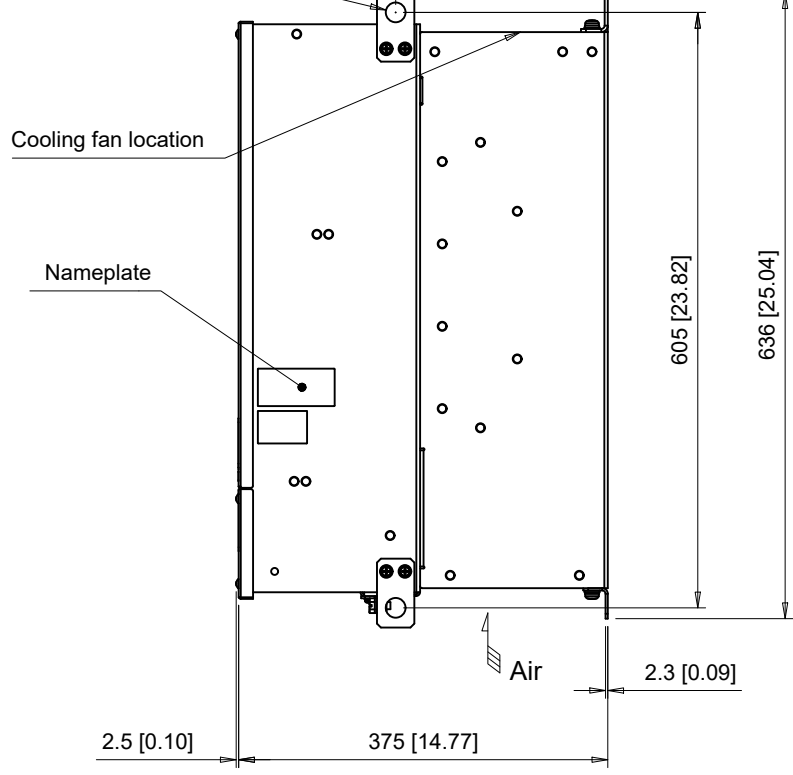
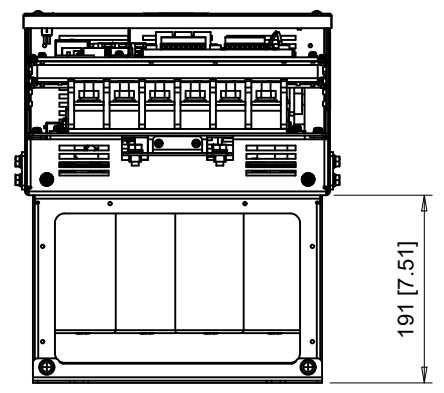


(4) Mounting Holes for M8 [5/16"] Screws. See Detail A for top mounting hole dimensions.

Note: Spreader bar required to avoid damage during lifting
(4)-Lifting Holes Ø20 [Ø0.79]



Detail A
Top mounting hole dimensions
Scale 1:1



C/C: SPBC-	INPUT VOLTAGE 1-PHASE (VAC)	OUTPUT CAPACITY (kW)	WEIGHT Kg (lb)	COOLING FANS	HEAT LOSS (W)		
					INT	EXT	TOT
4093□□	460 TO 480	93	40.6 (89.5)	2	488	1556	2044

□ denotes A-Z

INT=Internal Components
EXT=External Heatsink
TOT=Total



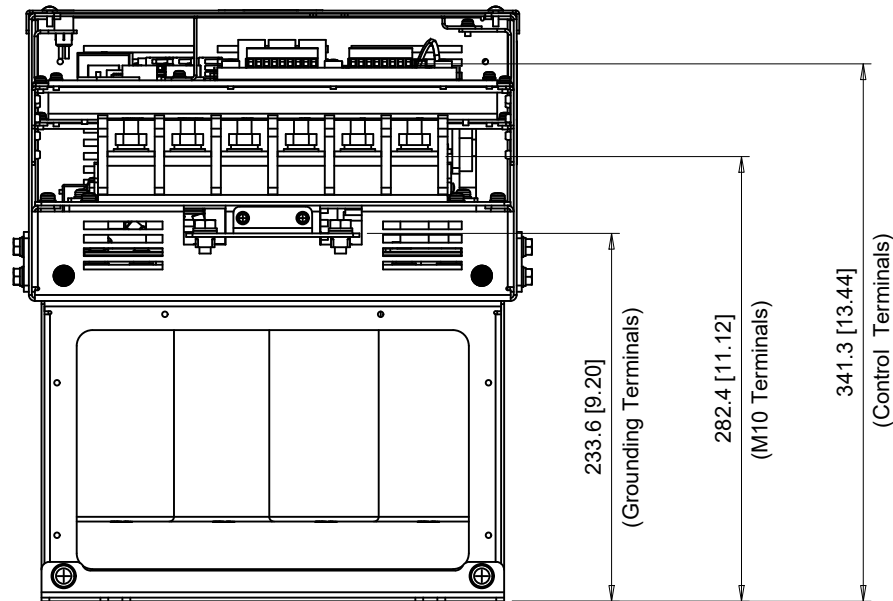
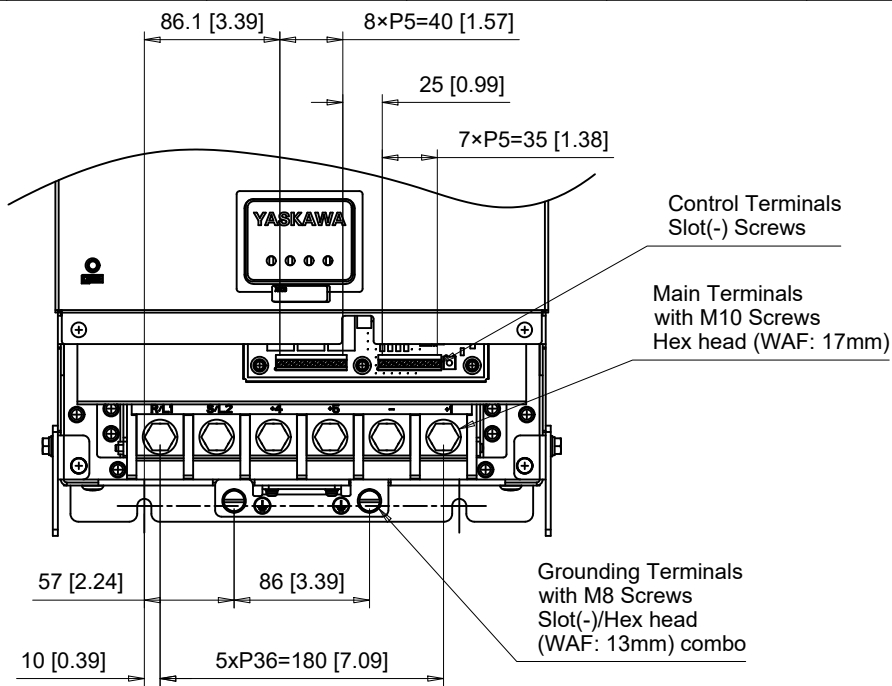
	DRWN. J. MATTAS	1-16-19
UNITS MM [IN]	CHKD. J. PIOTROWSKI	1-21-19
SCALE 1:8	TECH. L. UDDIN	1-22-19
	APRV. J. CAIRO	2-5-19

DRWN.	J. MATTAS	1-16-19
CHKD.	J. PIOTROWSKI	1-21-19
TECH.	L. UDDIN	1-22-19
APRV.	J. CAIRO	2-5-19

TITLE	SPBC DIMENSION DRAWING FRAME SIZE 3B IP00 ENCLOSURE
-------	---

SIZE	A	PAGE	1 OF 3
DWG.NO.	DD.SPBC.FR3B.IP00		

REV	0
-----	---



C/C: SPBC-	TERMINAL SYMBOL	WIRE RANGE AWG (mm ²)	TERMINAL SCREW	CLAMPING TORQUE N.m. (lb.in.)
4093□□□	R/L1, S/L2, +4, +5, -, +1	1 - 350 (42.4 - 152)	M10	18 - 23 (159 - 204)
	⊙	See Note	M8	9.0 - 11.0 (79.7 - 97.4)

□ Denotes A-Z

Note: Refer to applicable codes and standards for proper wire type and size.

YASKAWA

	DRWN.	J. MATTAS	1-16-19
	CHKD.	J. PIOTROWSKI	1-21-19
	TECH.	L. UDDIN	1-22-19
	APRV.	J. CAIRO	2-5-19
UNITS	MM [IN]		
SCALE	1:5		

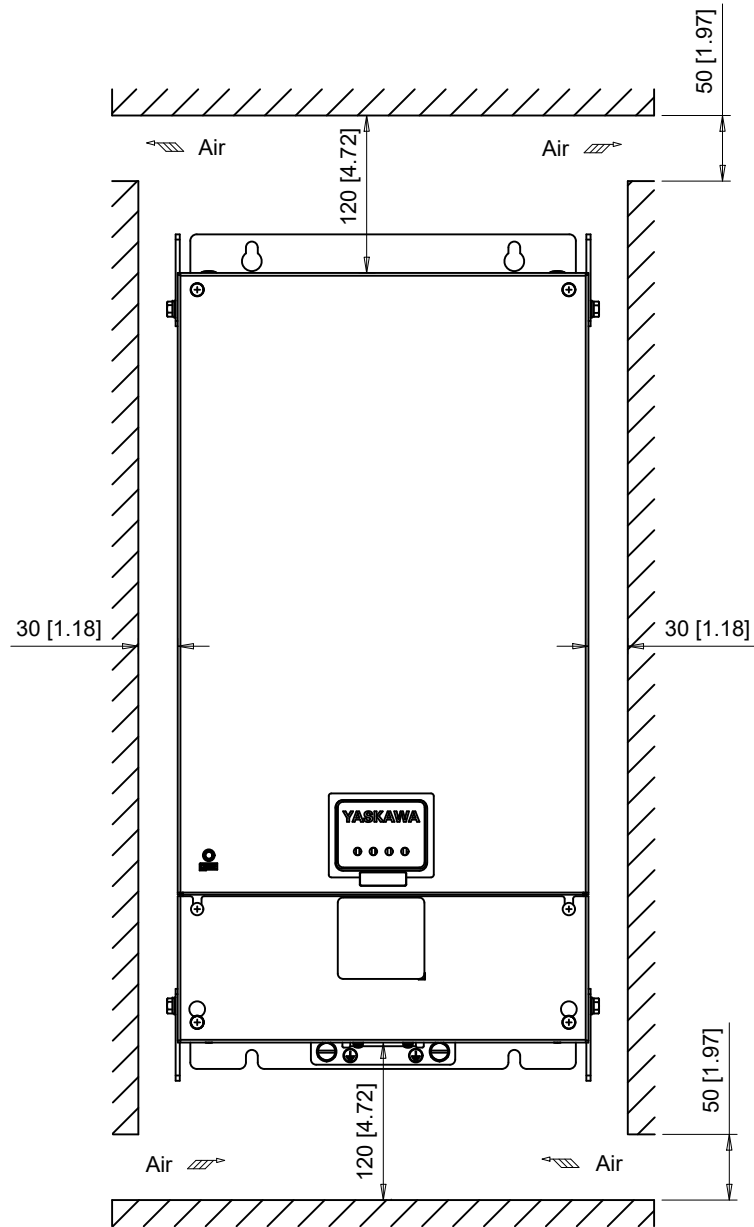
DRWN.	J. MATTAS	1-16-19
CHKD.	J. PIOTROWSKI	1-21-19
TECH.	L. UDDIN	1-22-19
APRV.	J. CAIRO	2-5-19

TITLE	SPBC DIMENSION DRAWING FRAME SIZE 3B IP00 ENCLOSURE
-------	---

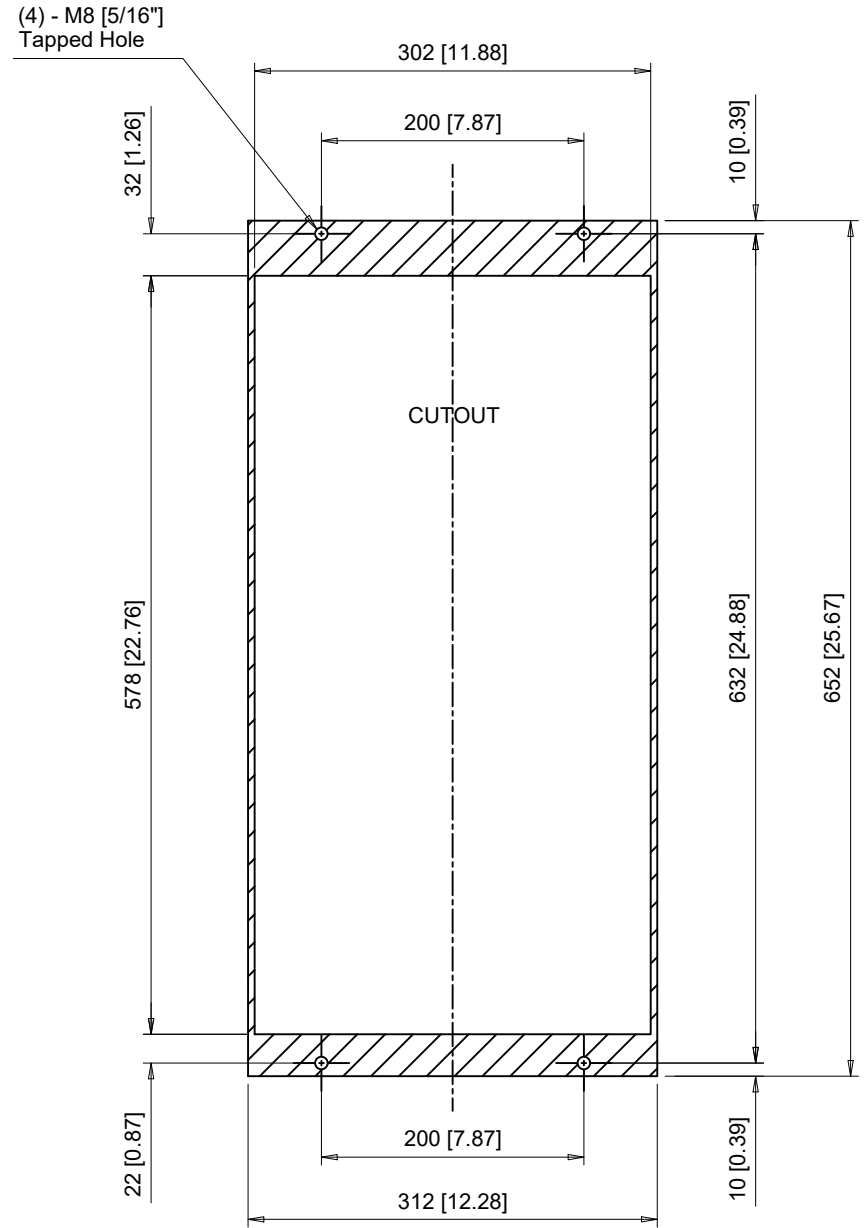
SIZE	A	PAGE	2 OF 3
DWG.NO.	DD.SPBC.FR3B.IP00		

REV
0

Minimum Installation Clearances



Panel Cutout
For External Heatsink Mounting Configuration



Notes:
Exposed heatsink minimum clearance D = 191 [7.51].

YASKAWA

UNITS MM [IN]
SCALE 1:6

DRWN.	J. MATTAS	1-16-19
CHKD.	J. PIOTROWSKI	1-21-19
TECH.	L. UDDIN	1-22-19
APRV.	J. CAIRO	2-5-19

TITLE	SPBC DIMENSION DRAWING FRAME SIZE 3B IP00 ENCLOSURE
-------	---

SIZE	A	PAGE	3 OF 3
DWG.NO.	DD.SPBC.FR3B.IP00		

REV
0